

**Lighting technical data**

# LED PHOTOELECTRIC CONTROL DUST TO DAWN LIGHT,LED BARN LIGHT,LED YARD LIGHT

**Lighting technical data**

**LED DUST TO DAWN LIGHT,LED BARN LIGHT,LED YARD LIGHT**

**is an alternative light source**

**with longer life and uniformed light distribution**



**RoHS  
IP65**

LED PHOTOELECTRIC CONTROL DUST TO DAWN LIGHT



Usage scenario



## LED PHOTOELECTRIC CONTROL DUST TO DAWN LIGHT



## Line-Up

| Model No.    | Watts(W) | Light Output(lm) | Dimension(mm) | Light Color(K) | Beam Angle(Degree) |
|--------------|----------|------------------|---------------|----------------|--------------------|
| KTYL3903-50W | 50 ± 10% | 6500 -10%        | 374*252*148.8 | 5000K          | 120                |
| KTYL3903-50W | 50 ± 10% | 6000- 10%        | 374*252*148.8 | 3000K          | 120                |

## Technical Specifications

| Item                   | Test Conditions | Min.                                 | Typ.      | Max.  |
|------------------------|-----------------|--------------------------------------|-----------|-------|
| Input Voltage(V, rms)  | AC              | 120                                  | 220       | 130   |
| Input Current(mA, rms) | AC(120V)        | ---                                  | 230       | ---   |
| ON-OFF Levels          | Lx              | 10~20Lx On (Dusk),30~60Lx Off (Dawn) |           |       |
| Input Power(W, rms)    | AC(All)         | ---                                  | 50        | ---   |
| Input Frequency(Hz)    | AC              | ---                                  | 50 / 60Hz | ---   |
| Power Factor(PF)       | AC(All)         | 0.9                                  |           |       |
| Output Voltage(V)      | DC              | 60                                   | 63        | 66    |
| Output Current(A)      | DC              | 0.72                                 | 0.75      | 0.78  |
| Output Power(W)        | DC              | 43.2                                 | 47.25     | 51.48 |

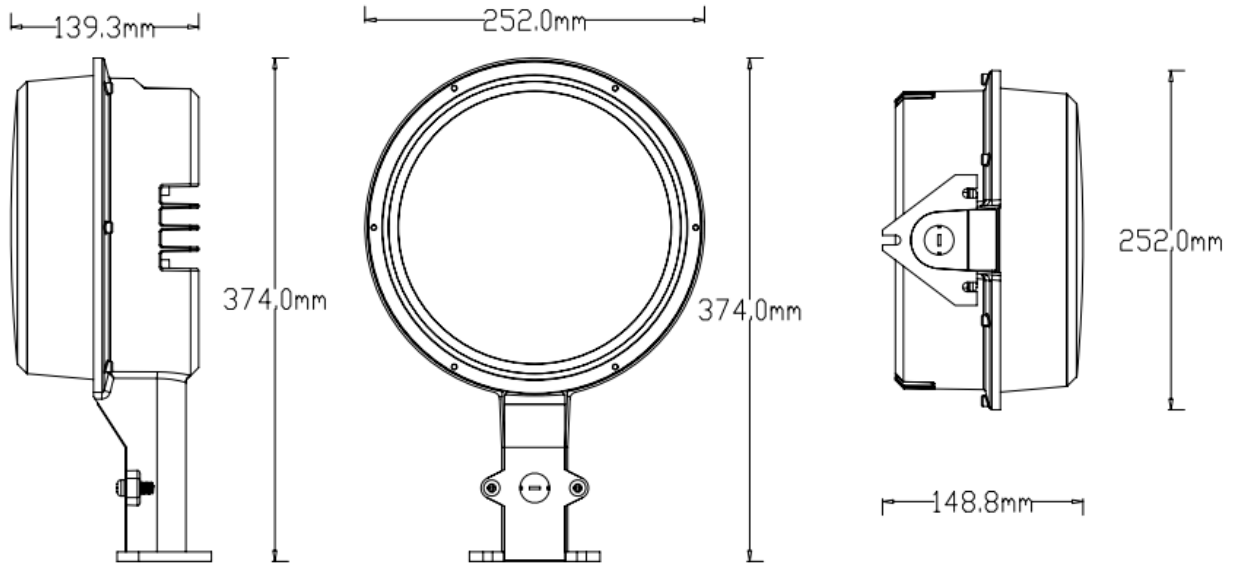
## Environmental Requirements

| Specifications                 | Values                                       |
|--------------------------------|--|
| Operational Temperature Range  | -40~40℃                                      |
| Preservation Temperature Range | -40~90℃                                      |
| Operational Humidity Range     | 95%Rh or below (@-40~40℃)                    |
| Installation Area              | Outdoor (Counter,Residential,Commercial,etc) |

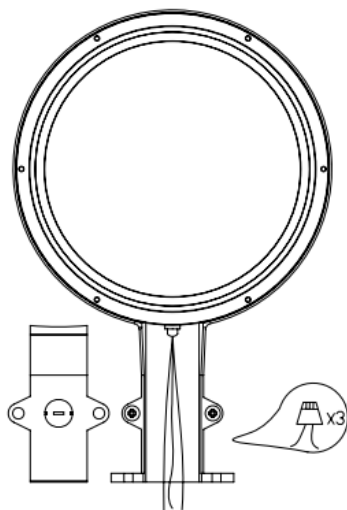
# LED PHOTOELECTRIC CONTROL DUST TO DAWN LIGHT



Drawing



## Installation instruction



| Material | IP           |
|----------|--------------|
| ADC12    | WET LOCATION |
| PC       |              |

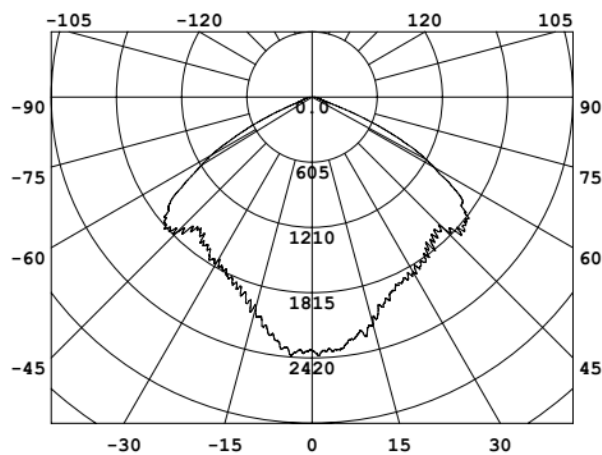
LED PHOTOELECTRIC CONTROL DUST TO DAWN LIGHT



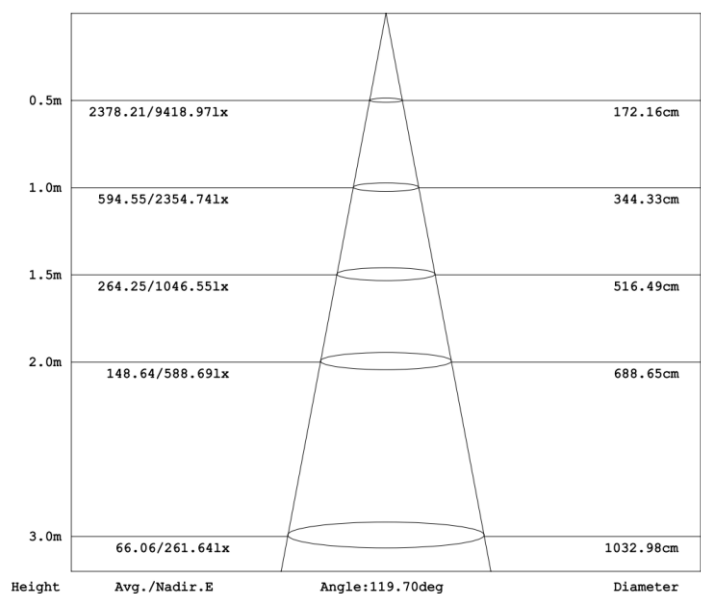
KTYL3903-50W

| Category                  | Specifications | Unit      |
|---------------------------|----------------|-----------|
| Watts                     | 50             | W         |
| Lumens per Watt(Efficacy) | 130            | Lm/W      |
| Light Output              | 6500           | lm        |
| Light Color(CCT)          | 5000           | K         |
| Beam Angle                | 120            | °(degree) |
| Color Accuracy(CRI)       | 70             | Ra        |
| Product Weight            | 1750           | G         |
| Rating Life               | 45000          | H         |
| Base                      | Line interface |           |
| Input Voltage             | 220            | V         |

Luminance Intensity Distribution



Cone Lux Diagram



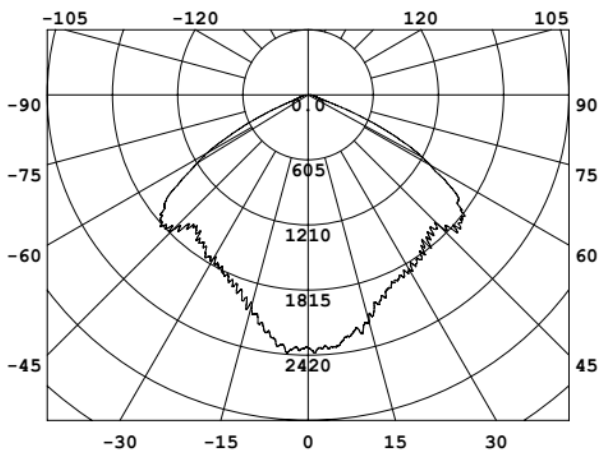
LED PHOTOELECTRIC CONTROL DUST TO DAWN LIGHT



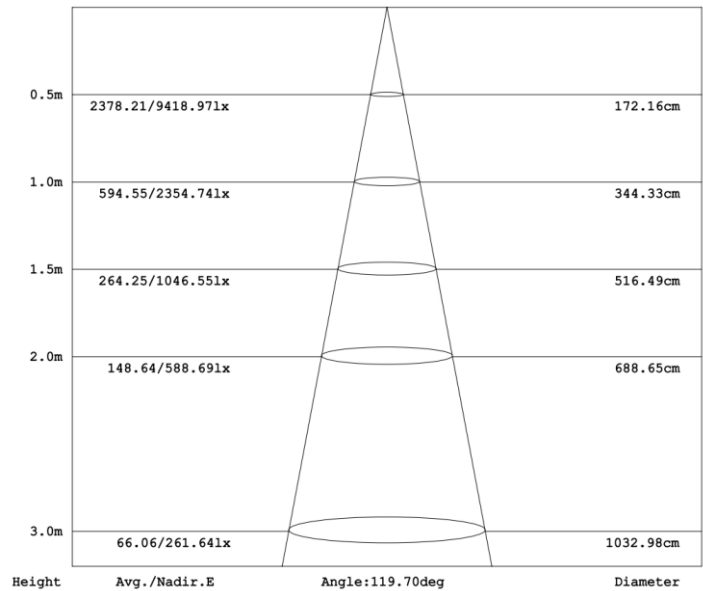
KTYL3903-50W

| Category                  | Specifications | Unit      |
|---------------------------|----------------|-----------|
| Watts                     | 50             | W         |
| Lumens per Watt(Efficacy) | 120            | Lm/W      |
| Light Output              | 6000           | lm        |
| Light Color(CCT)          | 3000           | K         |
| Beam Angle                | 120            | °(degree) |
| Color Accuracy(CRI)       | 70             | Ra        |
| Product Weight            | 1750           | G         |
| Rating Life               | 45000          | H         |
| Base                      | Line interface |           |
| Input Voltage             | 220            | V         |

Luminance Intensity Distribution



Cone Lux Diagram





**LED PHOTOELECTRIC CONTROL DUST TO DAWN LIGHT**



| Product Packaging | Specifications | Unit |
|-------------------|----------------|------|
| Product Dimension | 374*252*148.8  | mm   |
| Net Weigh         | 1.75           | Kg   |
| Size of box       | 390*260*165    | mm   |
| Gross Weight      | 2.1            | Kg   |
| Size of Carton    | 550*400*360    | mm   |
| Qty/ Carton       | 4              | PCS  |
| Weight/ Carton    | 9.0            | Kg   |

Revision History

| Mtime      | Changed to: VER | Description of Change |                             |                             |
|------------|-----------------|-----------------------|-----------------------------|-----------------------------|
|            |                 | Item                  | From                        | To                          |
| 2017-07-30 | 0.01            | Dimension(mm)         | L:372*250*150               | 374*252*148.8               |
|            |                 | Product Weight        | 2.1KG                       | 1.75KG                      |
|            |                 | Light Output          | 6250LM                      | 6500LM                      |
|            |                 | Model No              | LN-YAXW50-L-LS-QW-BR-U-C-00 | LN-YAXW50-U-LS-QW-BR-U-C-00 |
|            |                 | Input Voltage         | 120V                        | 120-277V                    |
| 2017.11.23 | 0.02            | Size of box           | 380*260*165mm               | 390*260*165                 |
|            |                 | Size of Carton        | 400*550*370mm               | 550*400*360                 |